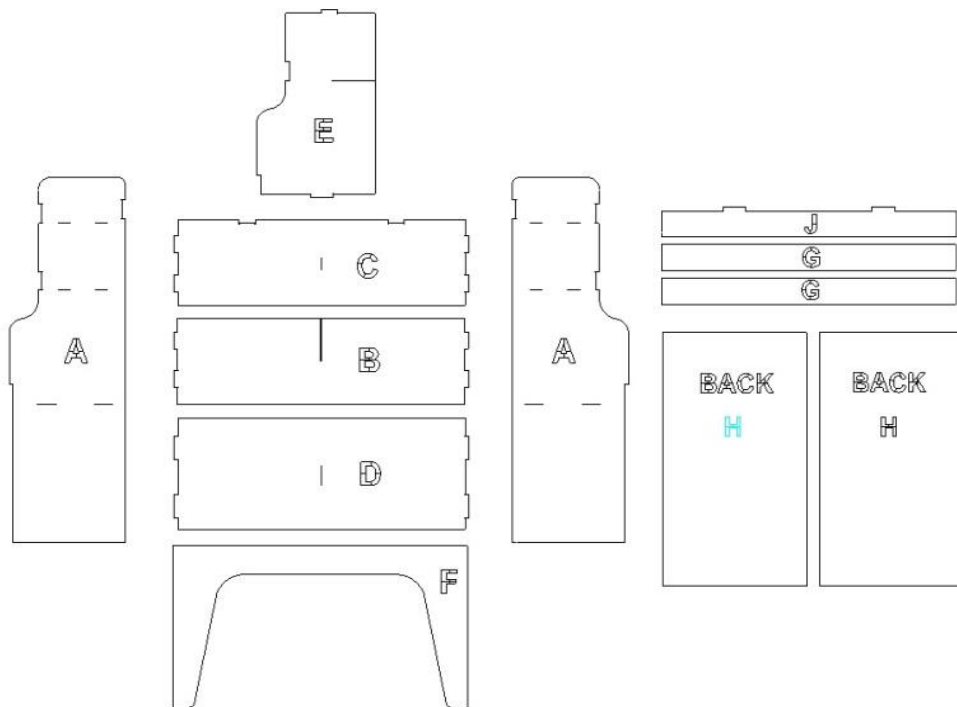
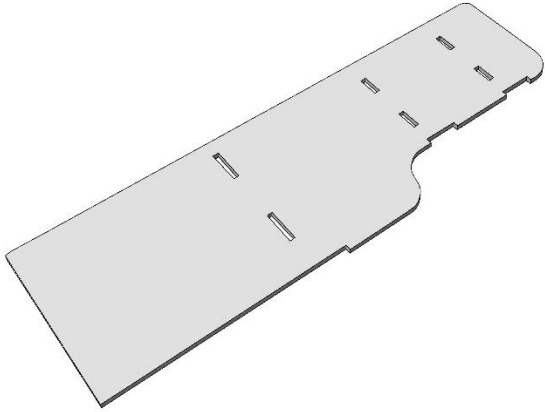
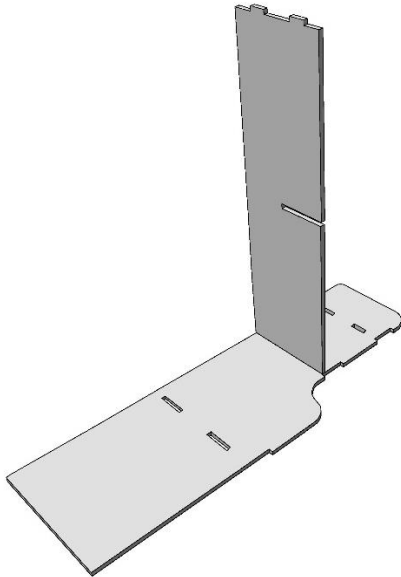


WR9 + WR10 fitting instructions
(WR10 includes 6 red bins)

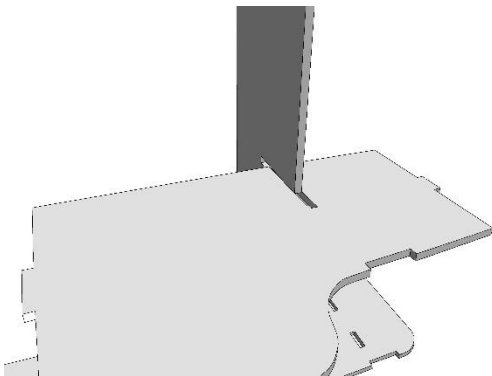




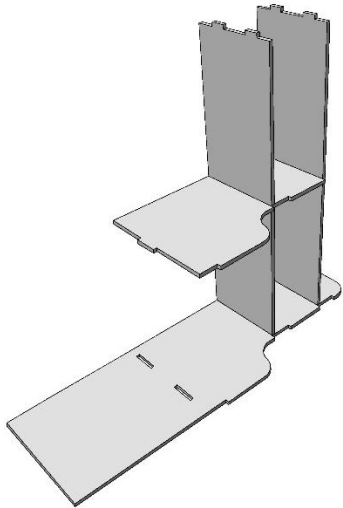
Take panel A and place on a flat surface.



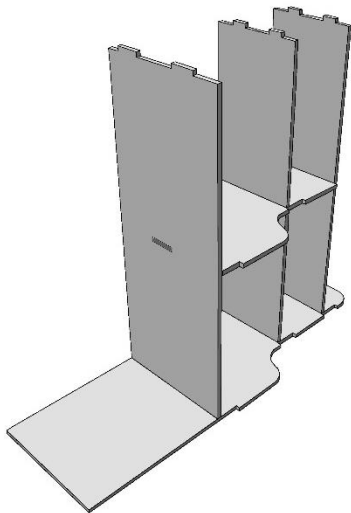
Take panel B and place into middle slots of panel A, as in picture.



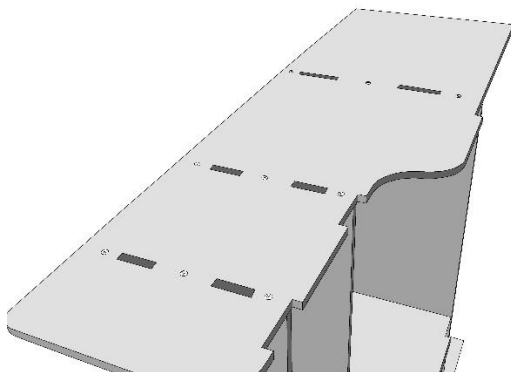
Take panel E and slot into panel B as shown in picture.



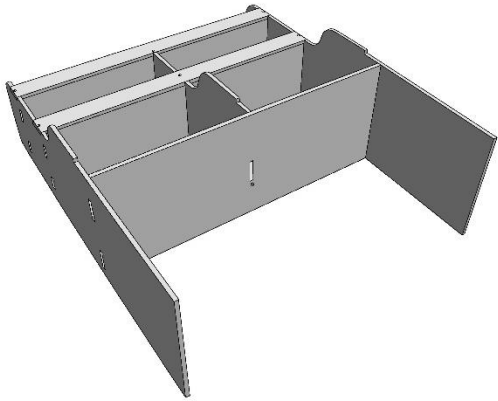
Take panel C and slot in to top slots of panel A (making sure front and rear edges are aligned if not, turnover) now slot onto panel E as shown.



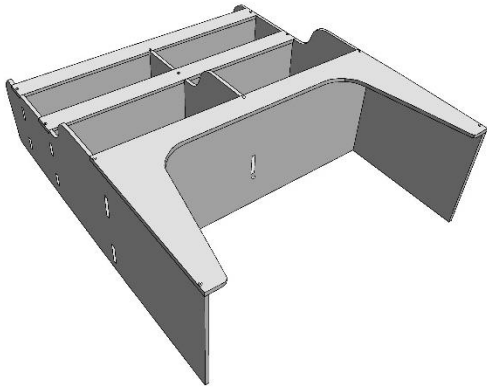
Take panel D and repeat for lower shelf.



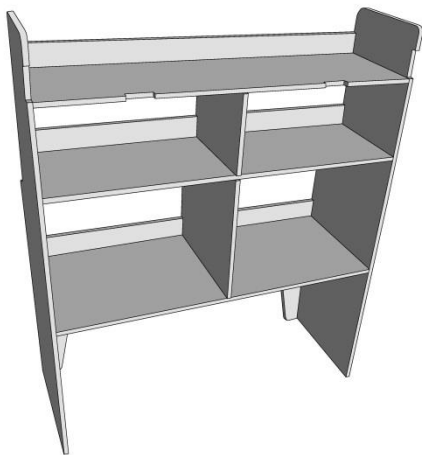
Take the other panel A and fit to part assembled unit as shown. Screw in to place using 3 screws per shelf. Turnover and screw the other panel A in to place.



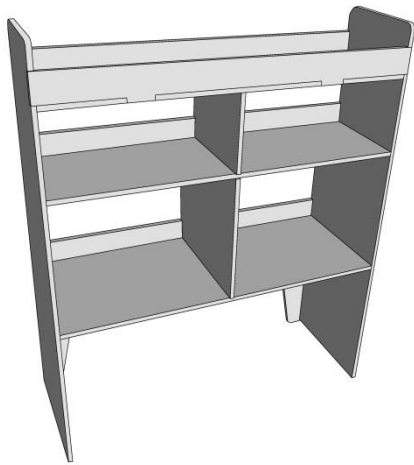
Lay the unit on its back. Take panel G (x2) align with end panels and screw into place.



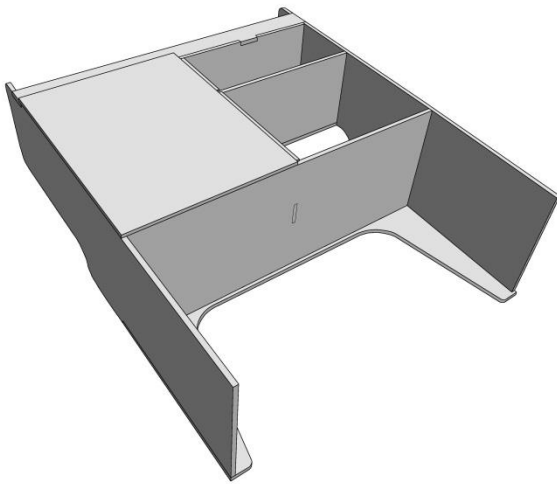
Take panel F, align with end panels and screw in to place.



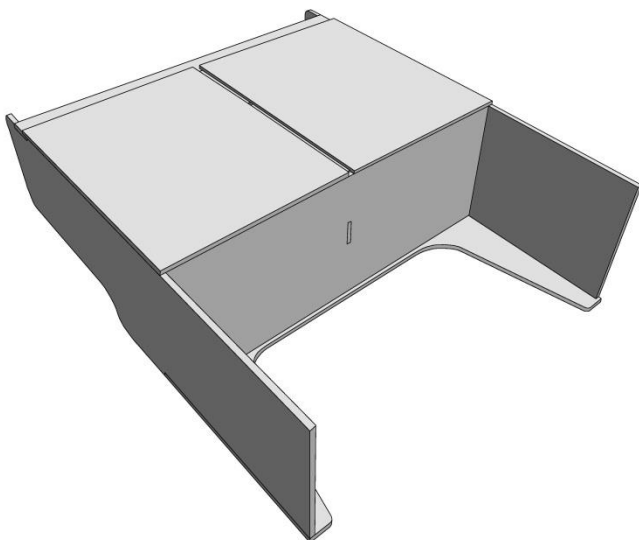
Turn unit over.



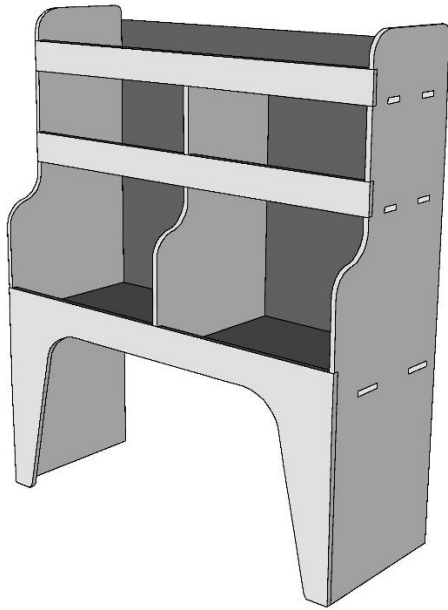
Insert panel J into the available slots as per picture. Screw into place.



Place one of the back panels (panel H) flush with the bottom shelf as per picture. Screw into place.



Repeat.



The assembled unit, is now complete. Please ensure that when fitting to your van that it is securely fixed to the van floor and sides.

Use angle brackets to secure to your van, these are not supplied by ourselves you will need to source these yourself.