

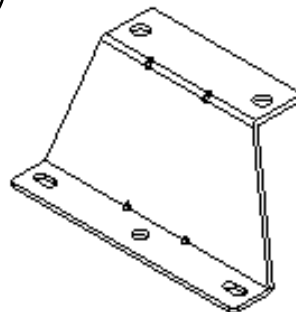
SUPPLIED FIXING KIT

DESC	QTY
M8X20mm BOLT	12
M8 NYLOC NUT	12
M8 WASHER	24
M6 SPRING WASHER	12
M6 WASHER	12
M6X25mm BOLT	12

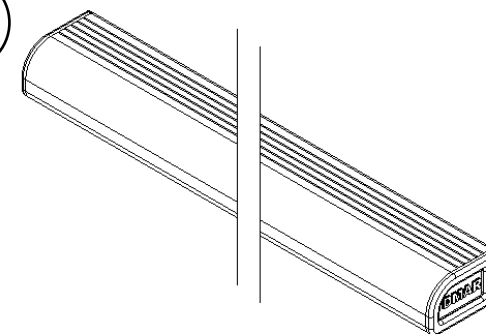
SUPPLIED COMPONENTS

#	DESC	QTY
1	RRP126	6
2	RRP129	6
3	D BAR	3
4	25mm FOAM	900mm
5	Rubber gaskets	6

1



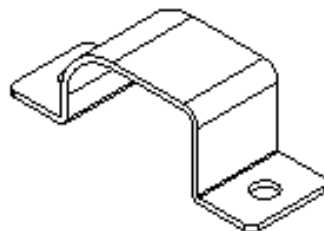
3



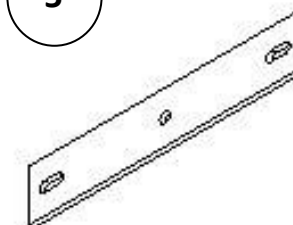
4



2



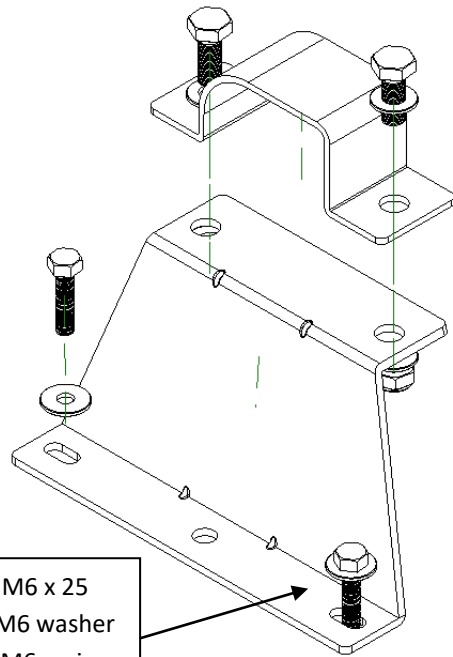
5



Cut the foam to length and stick to the rubber gasket. Then pierce hole where needed.

Note, there are 4 roof rack mounts on the roof of your van. This roof rack system has been designed that it can mount onto either the single bolt hole fixings or the twin bolt hole fixings.

Bolt the RRP129 to the top of the RRP126.

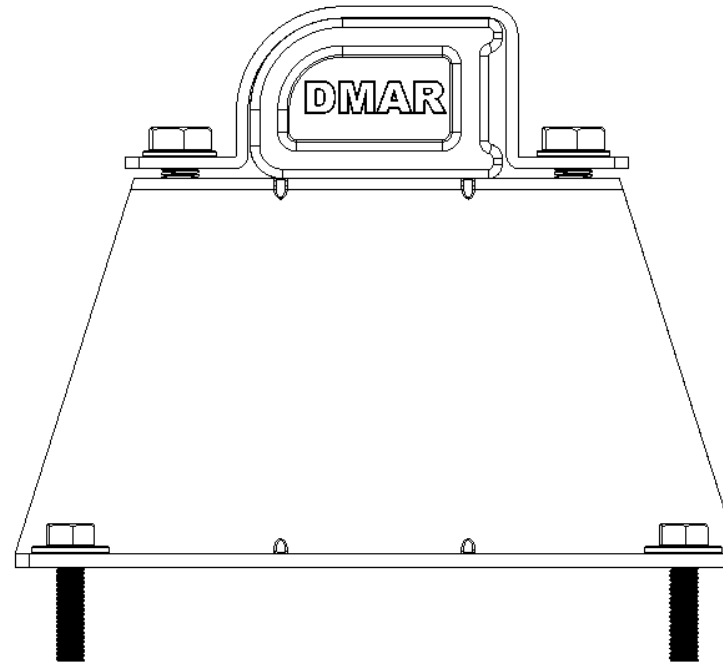


M6 x 25
+ M6 washer
+ M6 spring
washer

Leave all nuts finger tight at the moment.

Place the gasket on the roof prior to mounting the brackets

Slide the bar into place.



At this stage, all nuts and bolts can be tightened.

Once in position, tighten all fixings to **8Nm**.
Periodically check all fixings.



Make sure the bar is centrally positioned.



NOTES: Do not exceed vehicle manufacturers roof loading recommendations. Loads must be evenly distributed. All fixings and clamps need to be checked regularly for fatigue or wear and tightened or replaced when required. Paint damage to be touched up to prevent corrosion occurring. No liability is accepted by DEMAR for damage to vehicle or claims arising from use of roof rack. User must ensure all Health and Safety recommendations are complied.

