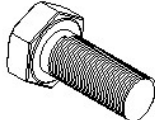




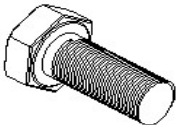

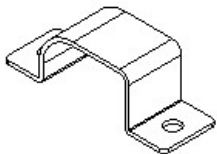
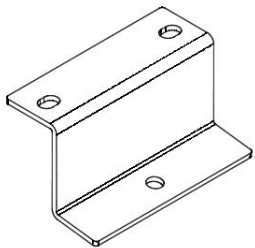
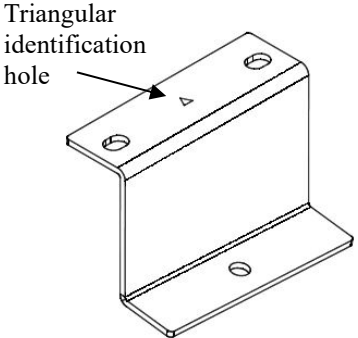
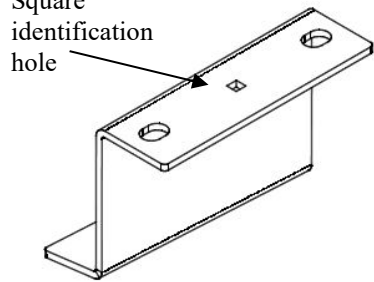
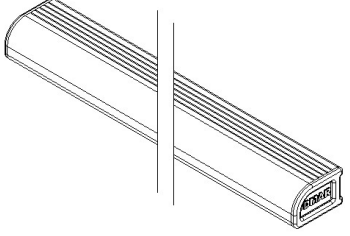
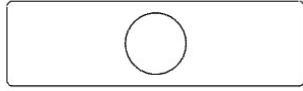


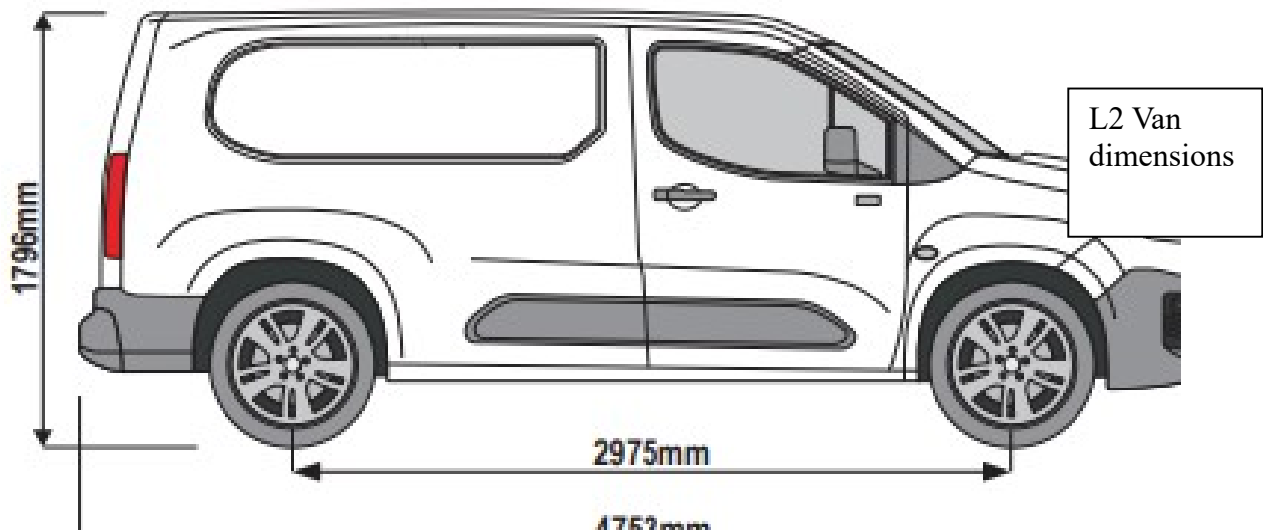
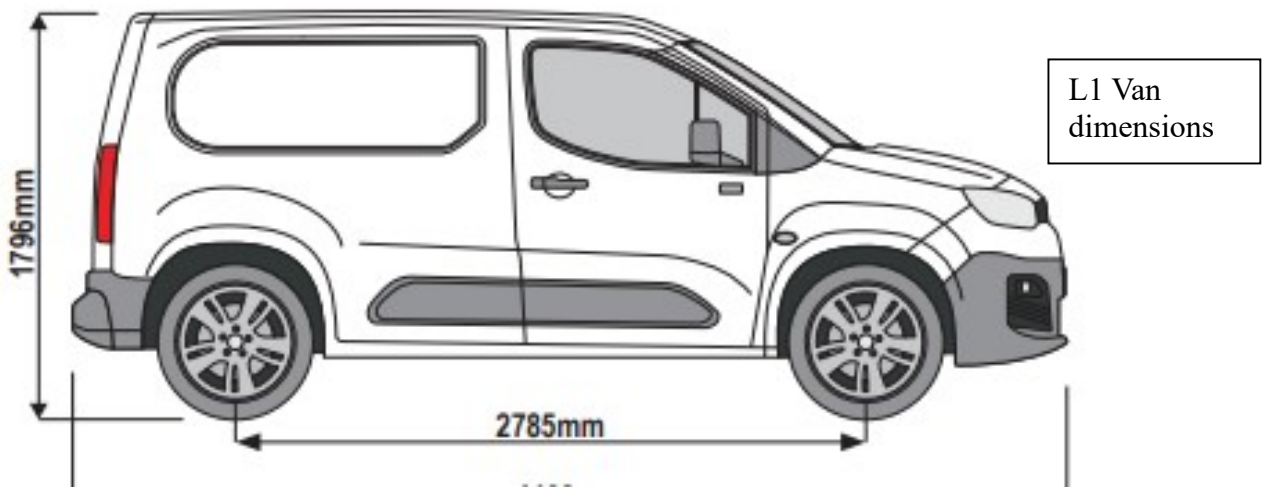
**Contents 3 Bar System Berlingo / Partner / Combo 2018 onward (DM130LS)**

	Quantity	Details
	12	M8 x 20mm bolt
	12	M8 nut
	24	M8 washer
	6	M8 Spring washer
	6	M8 penny washer
	6	M8 x 25mm bolt
	6	Rubber Washers
	6	RRP129 bracket
	2	RRP144 bracket

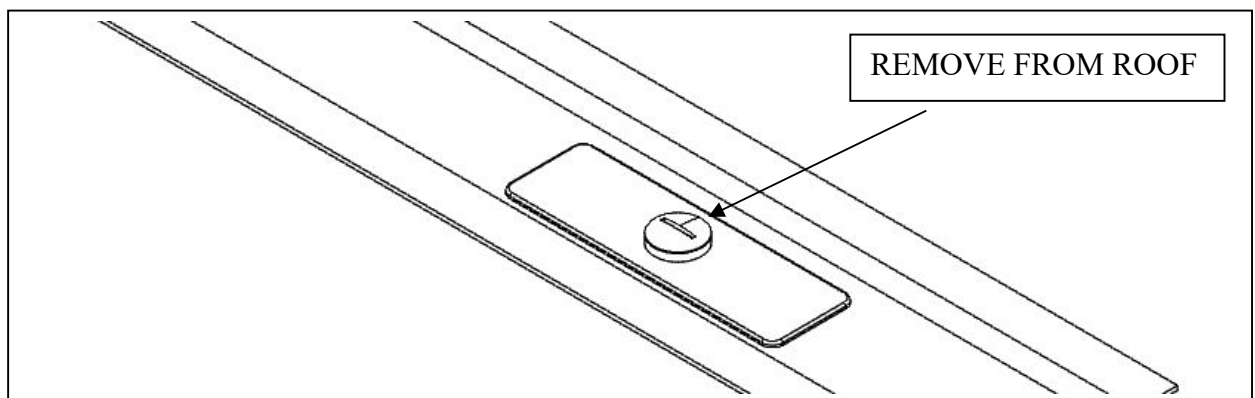
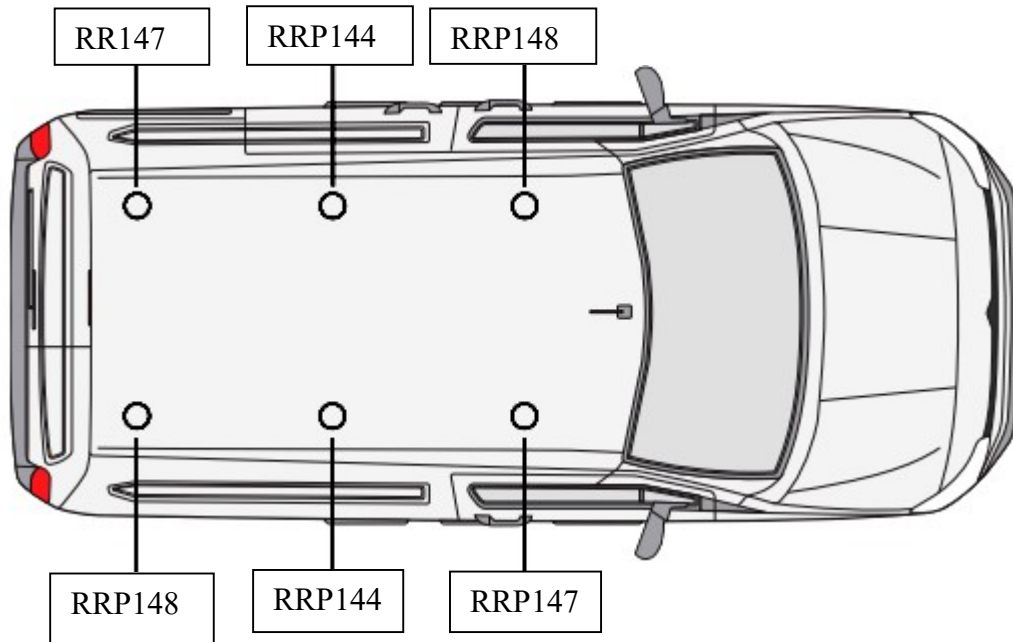
 <p>Triangular identification hole</p>	<p>2</p>	<p>RRP147 bracket (identified by the triangular hole in top face)</p>
 <p>Square identification hole</p>	<p>2</p>	<p>RRP148 bracket (identified by square hole in top face)</p>
	<p>3</p>	<p>1350mm long Aluminium Bars</p>
	<p>6</p>	<p>Rubber pads</p>

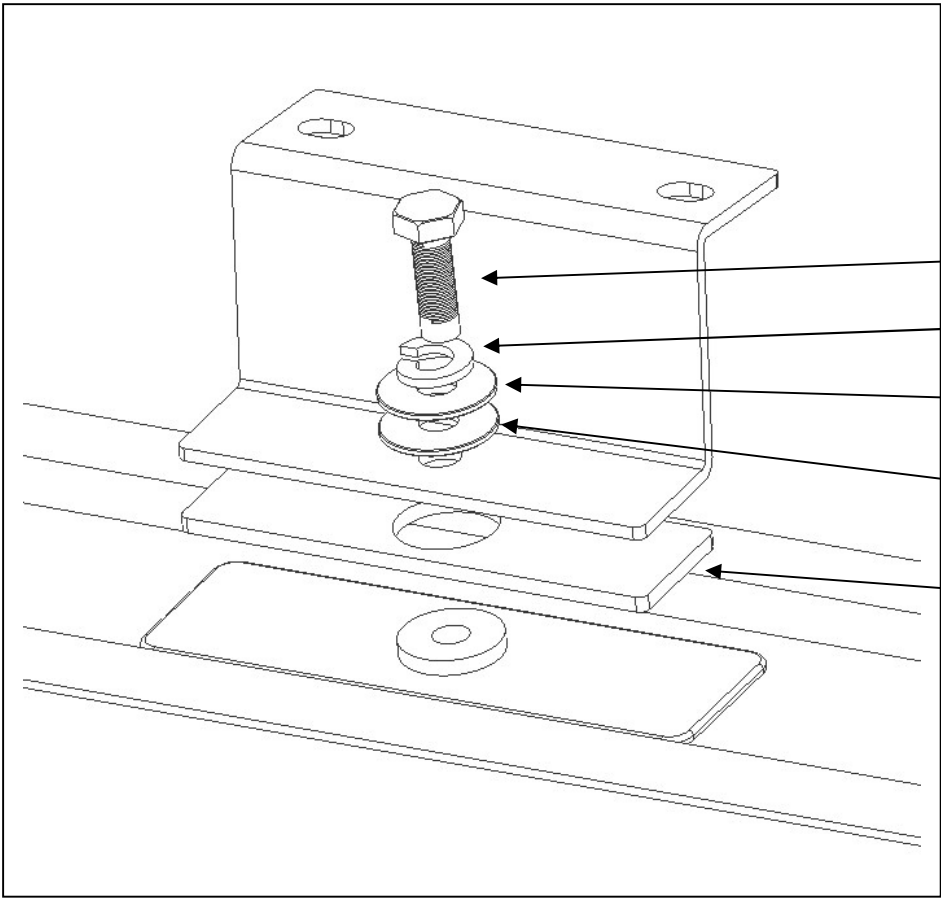
### Assembly Procedure

This roof rack is designed to fit on both the L1 and the L2 versions of this van as detail below.

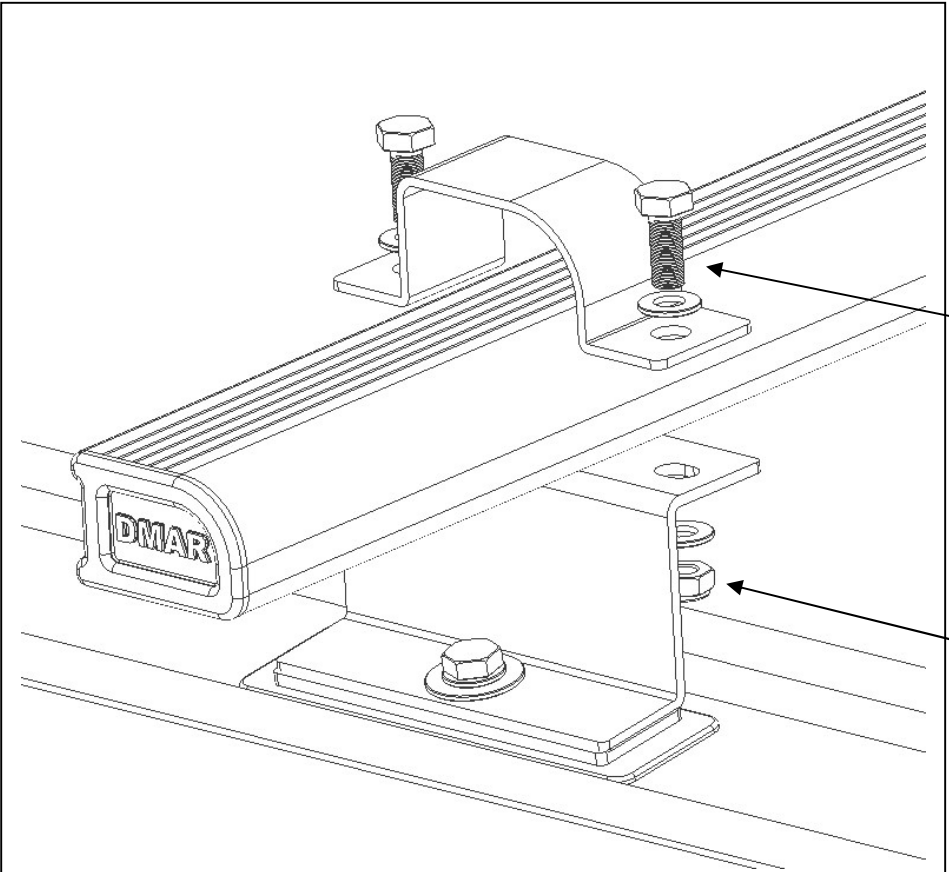


Brackets to be mounted on the roof in the positions detailed below.





- M8x25mm bolt
- M8 Spring Washer
- M8 Penny Washer
- Rubber Washer
- Rubber Gasket



- M8x20mm bolt
- M8 nyloc nut

## **IMPORTANT**

Once the bars are located on the roof, slide the bars to make sure they are centrally positioned.

*At this stage all nuts and bolts can be tightened, M8 bolts to 10Nm, and the M6 bolts to 7Nm.*

*Do not exceed vehicle manufacturers roof loading recommendations.*

*Loads must be evenly distributed.*

*All fixings and clamps need to be checked regularly for fatigue or wear and tightened or replaced when required.*

*Paint damage to be touched up to prevent corrosion occurring.*

*No liability is accepted by DEMAR for damage to vehicle or claims arising from use of roof rack.*

*User must ensure all Health and Safety recommendations are complied with.*